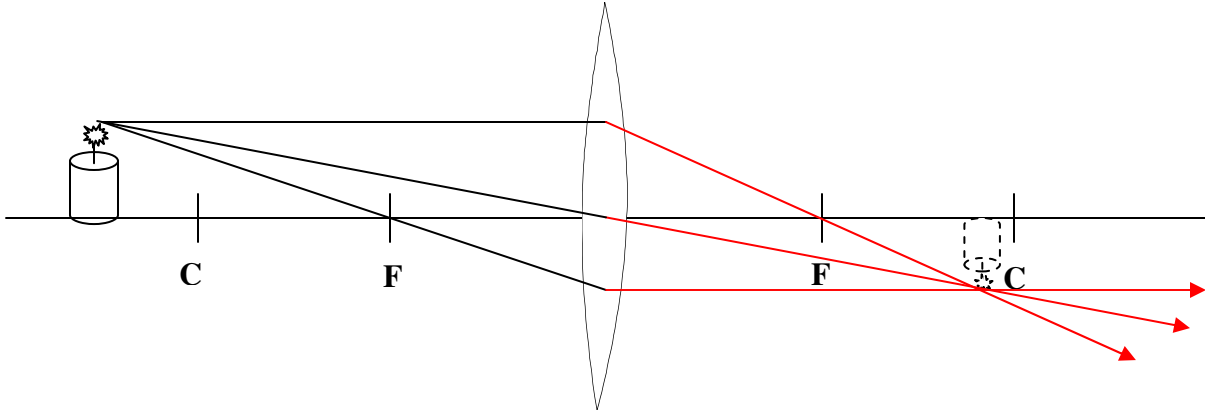
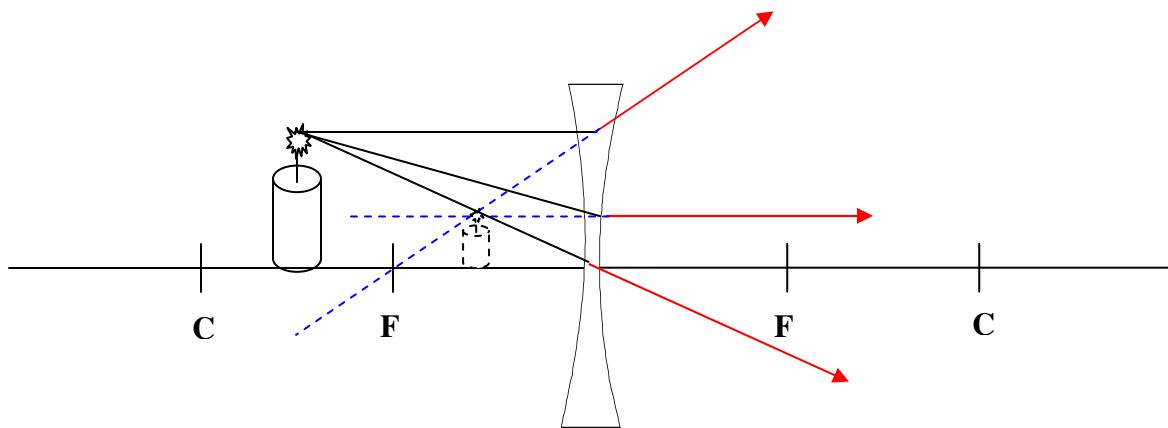


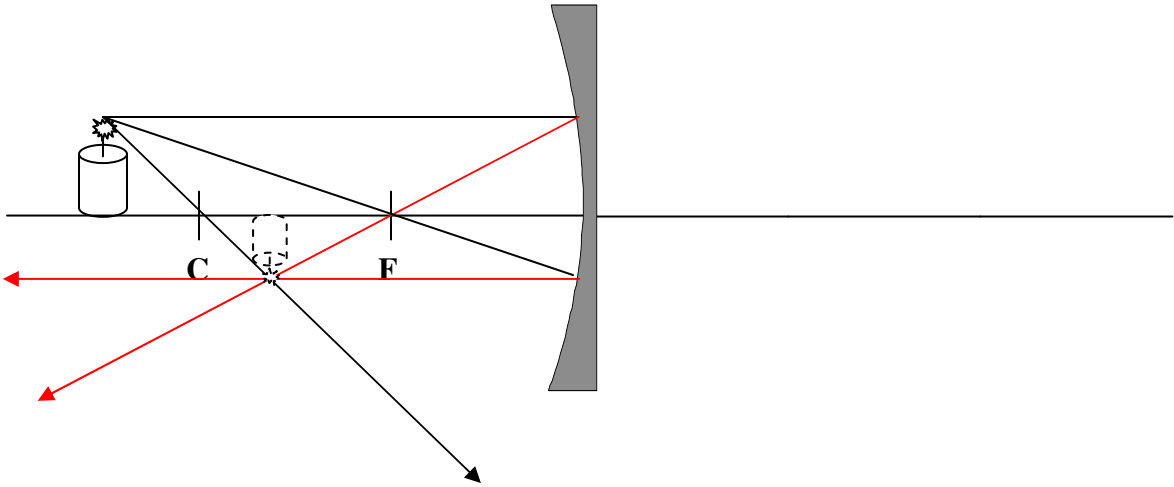
Converging Lens



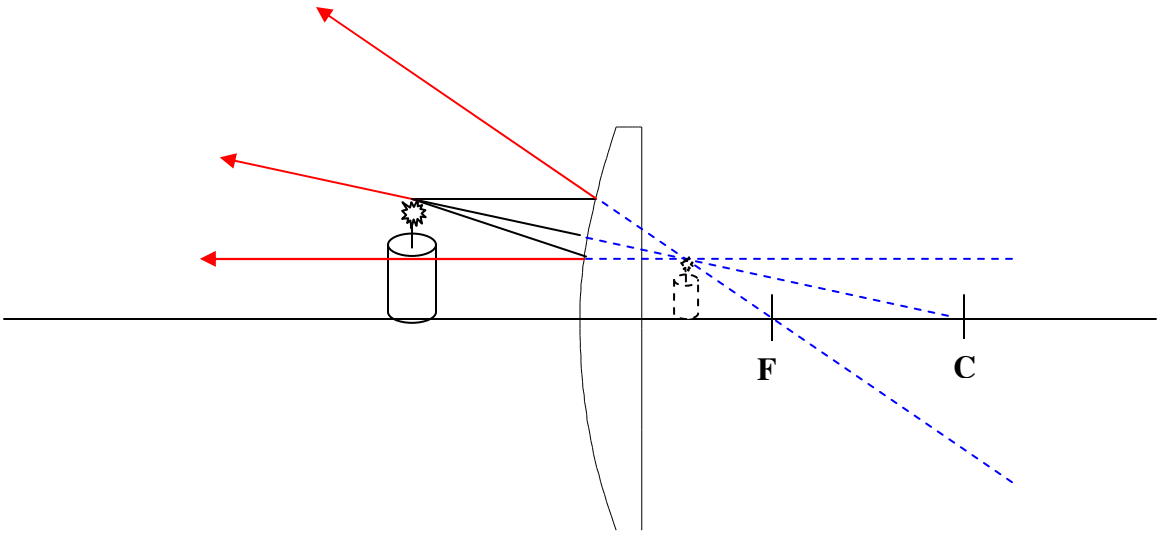
Diverging Lens



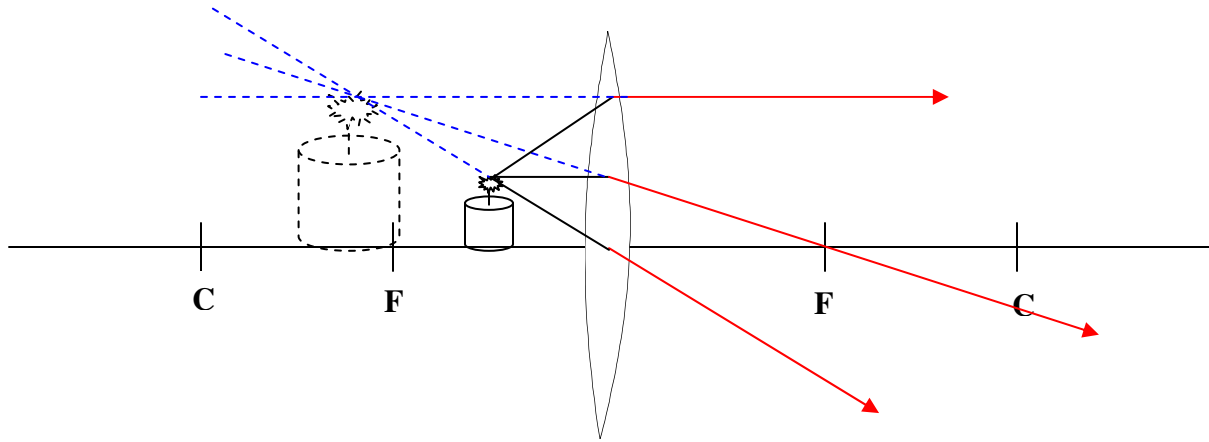
Concave Mirror



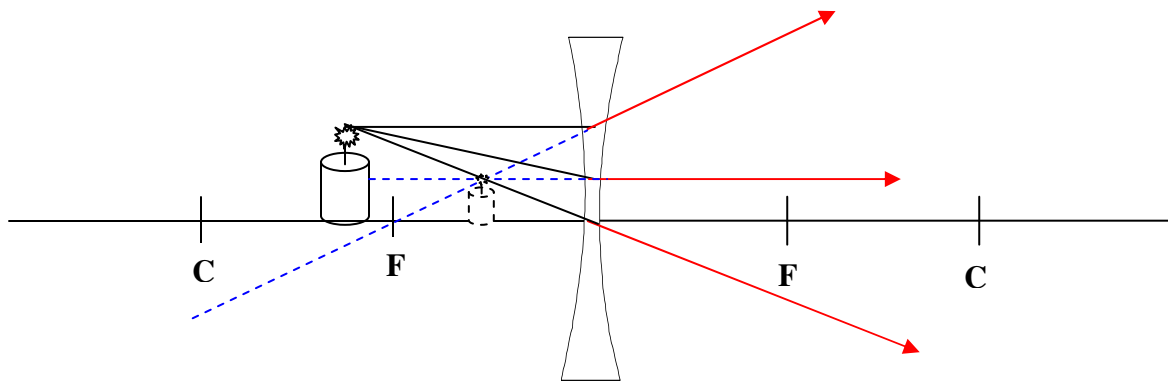
Convex Mirror



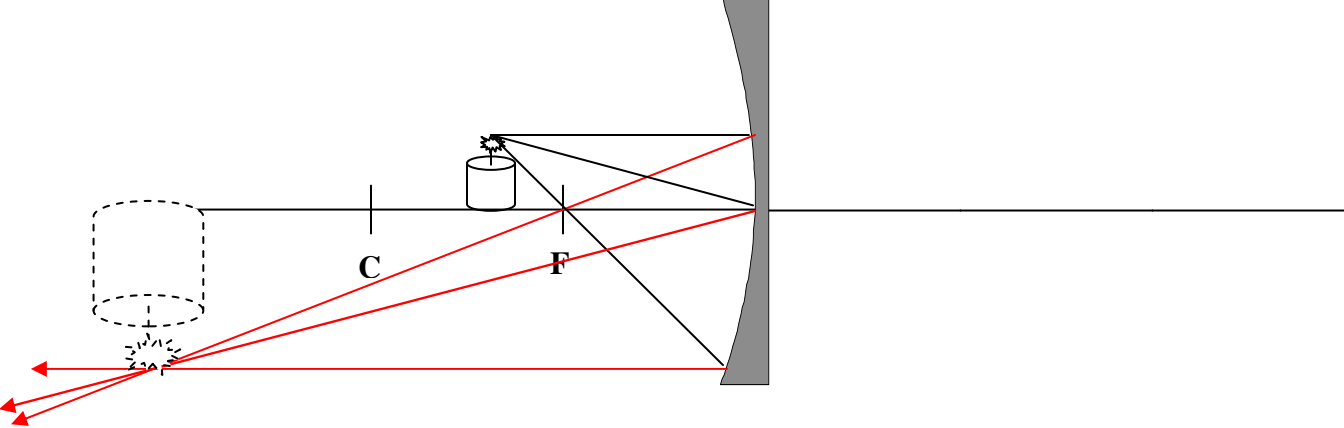
Converging Lens



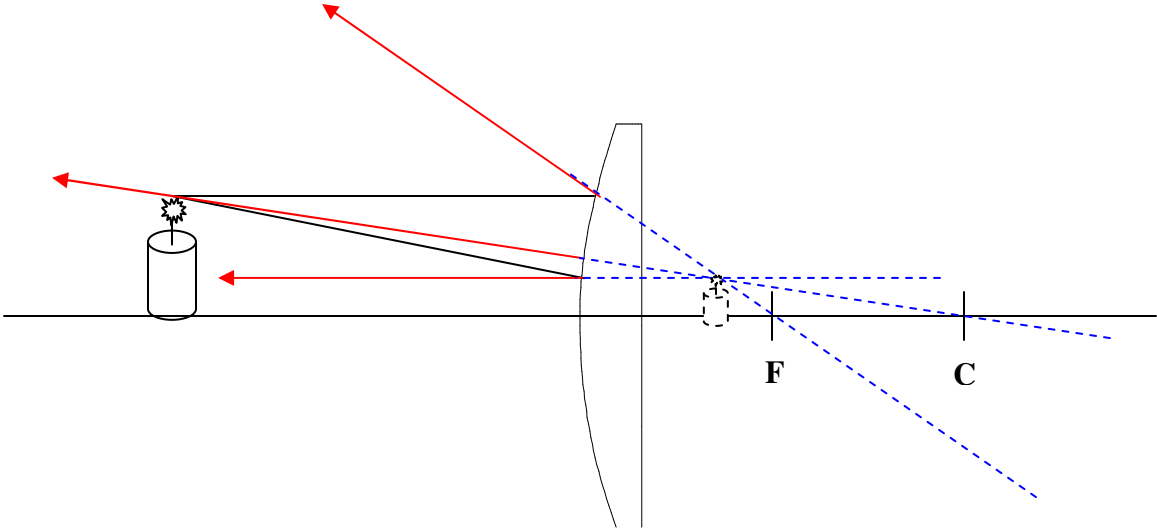
Diverging Lens



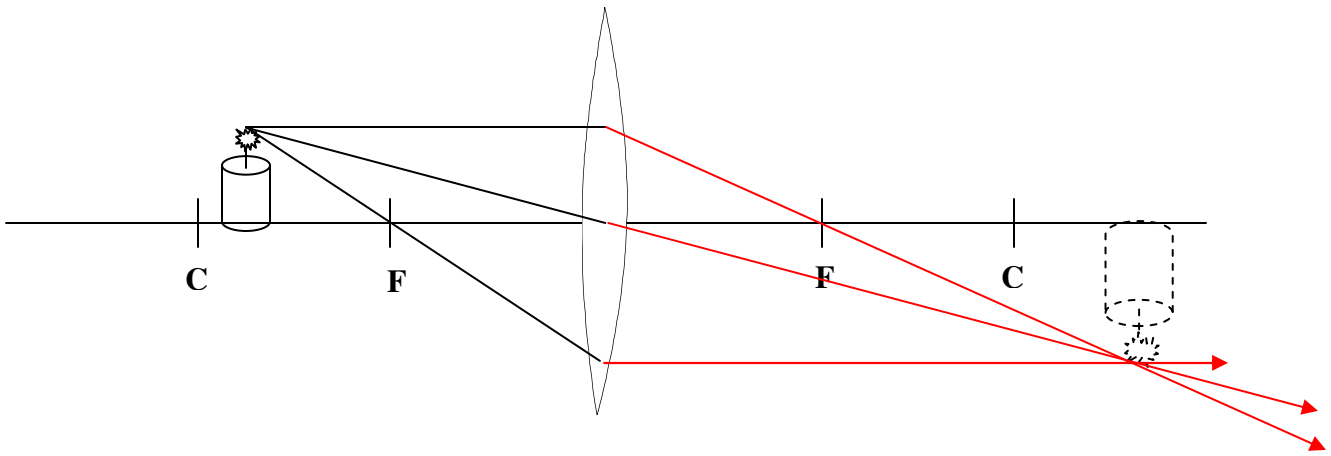
Concave Mirror



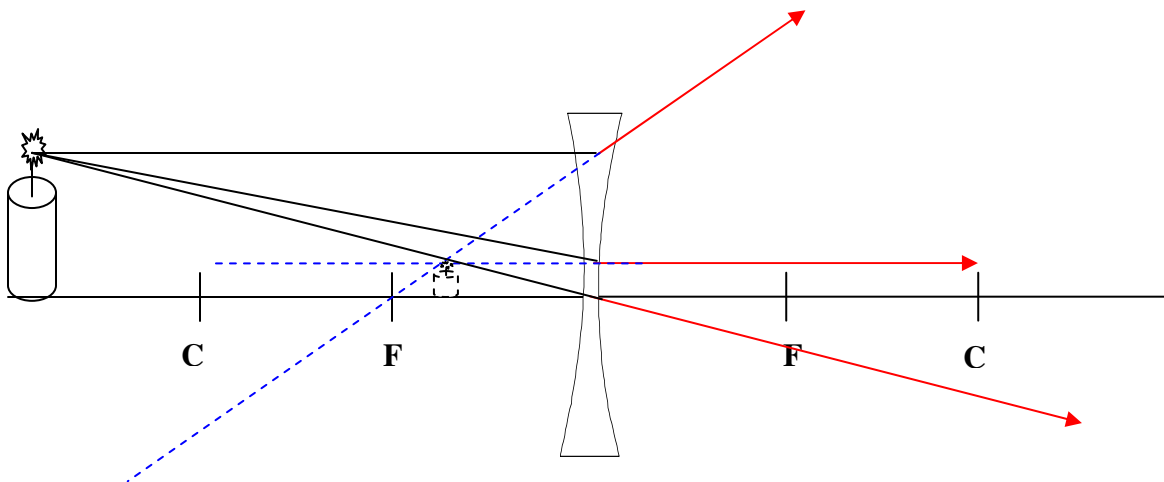
Convex Mirror



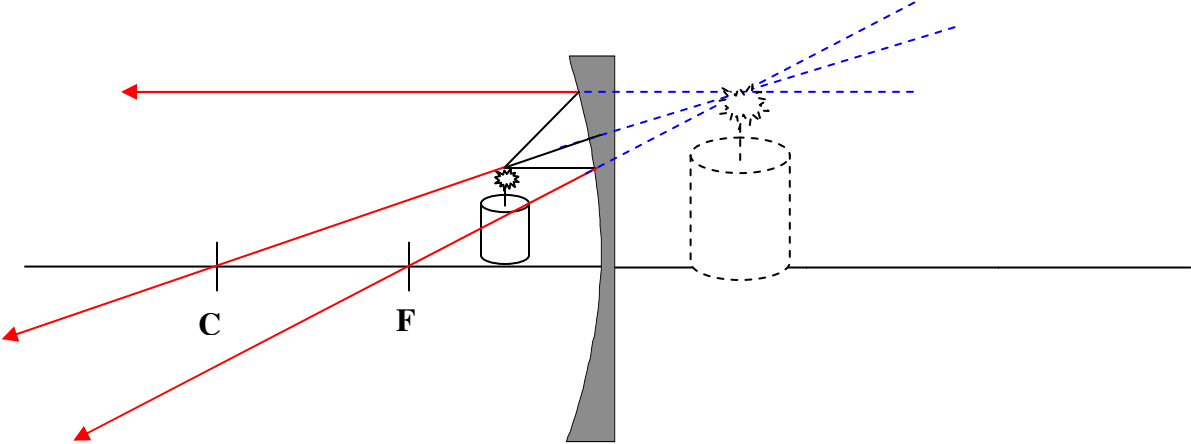
Converging Lens



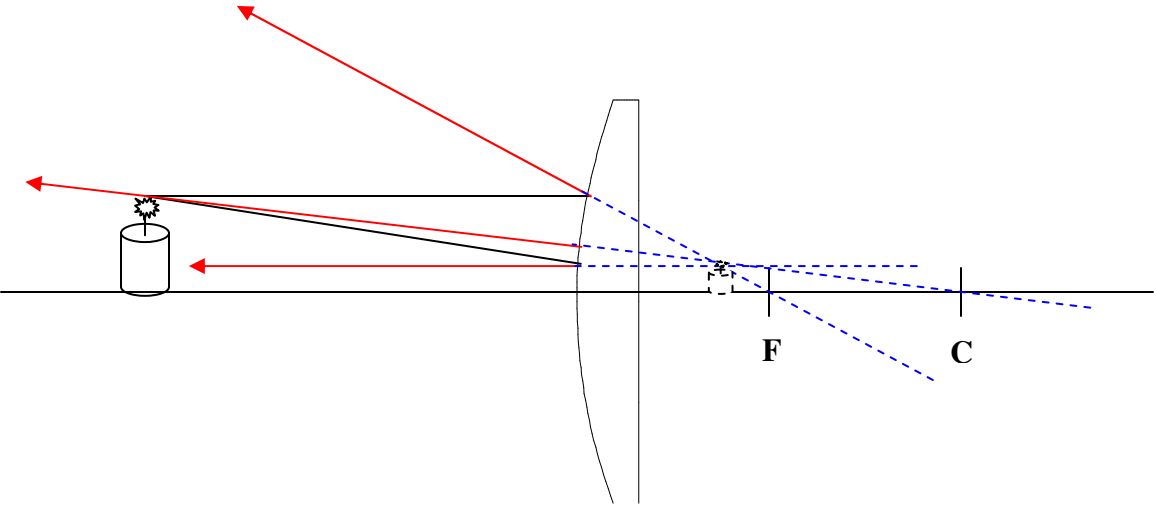
Diverging Lens



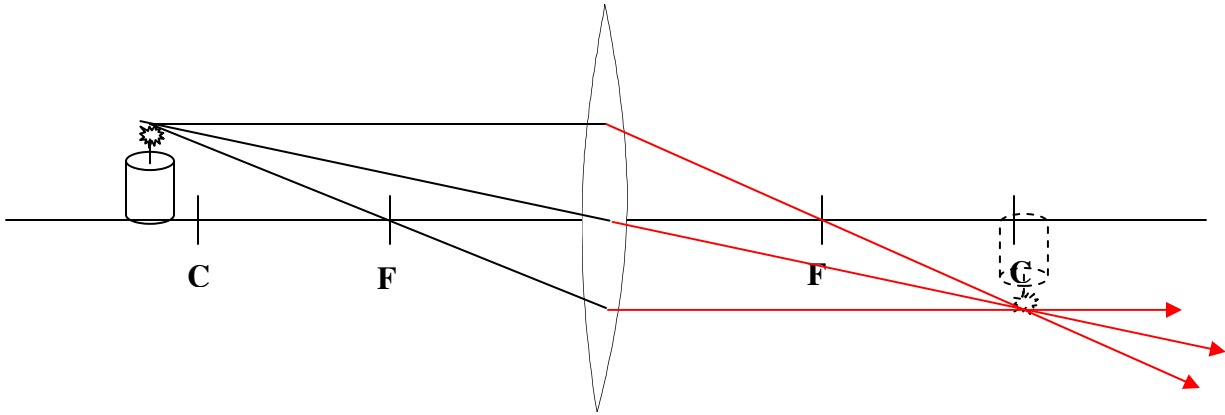
Concave Mirror



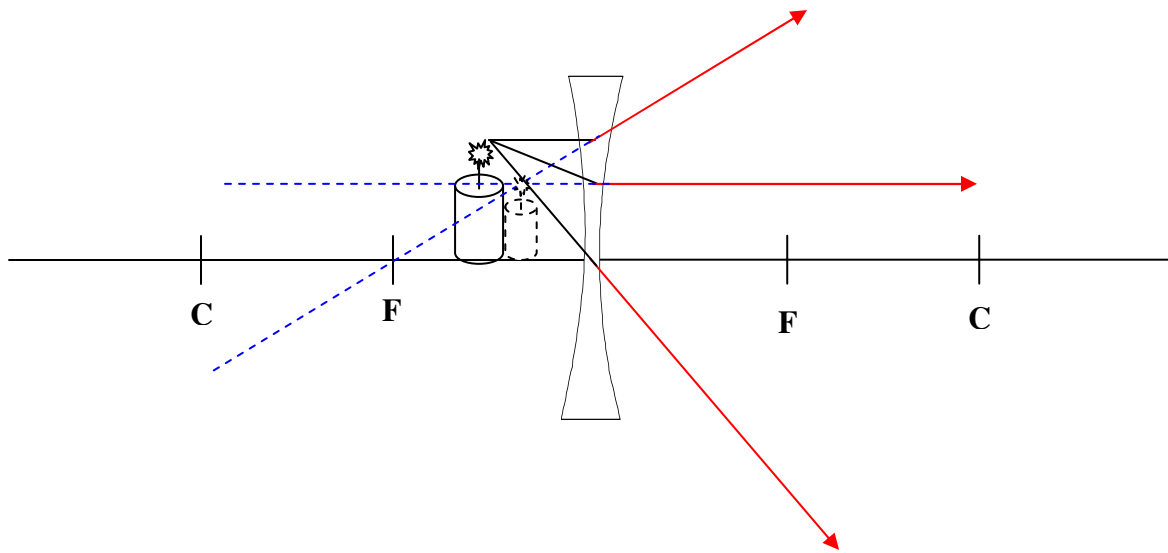
Convex Mirror



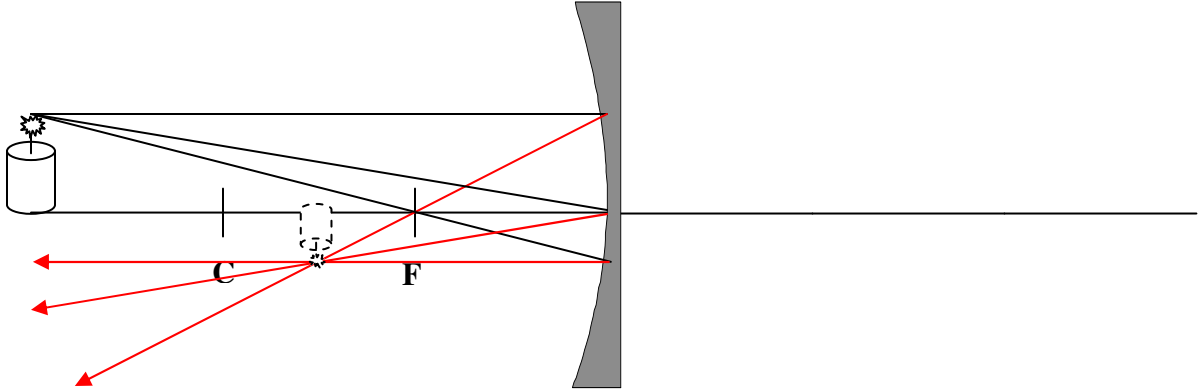
Converging Lens



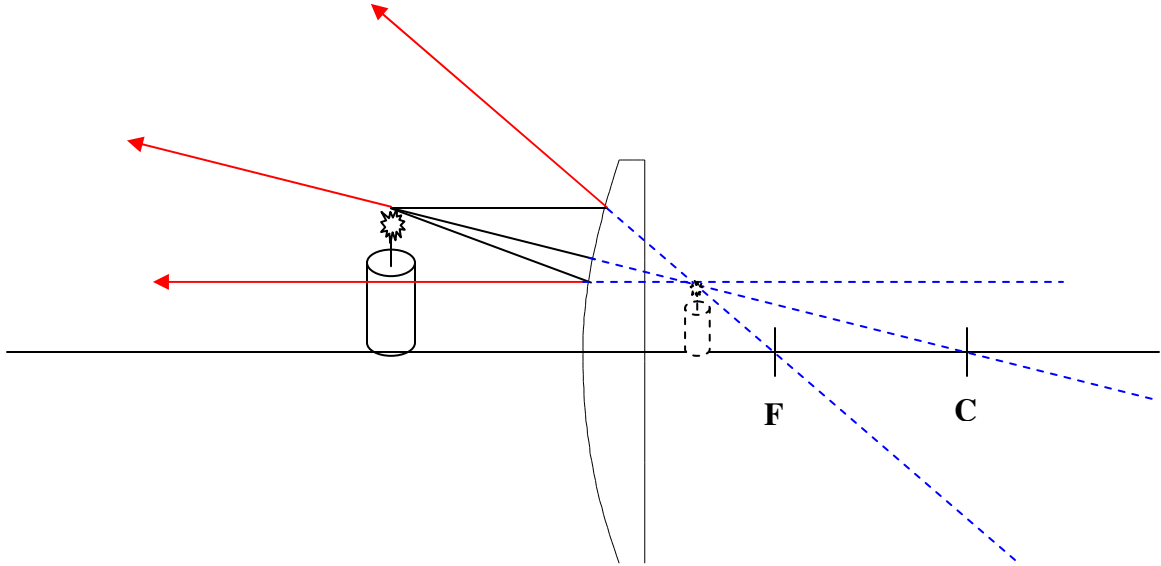
Diverging Lens



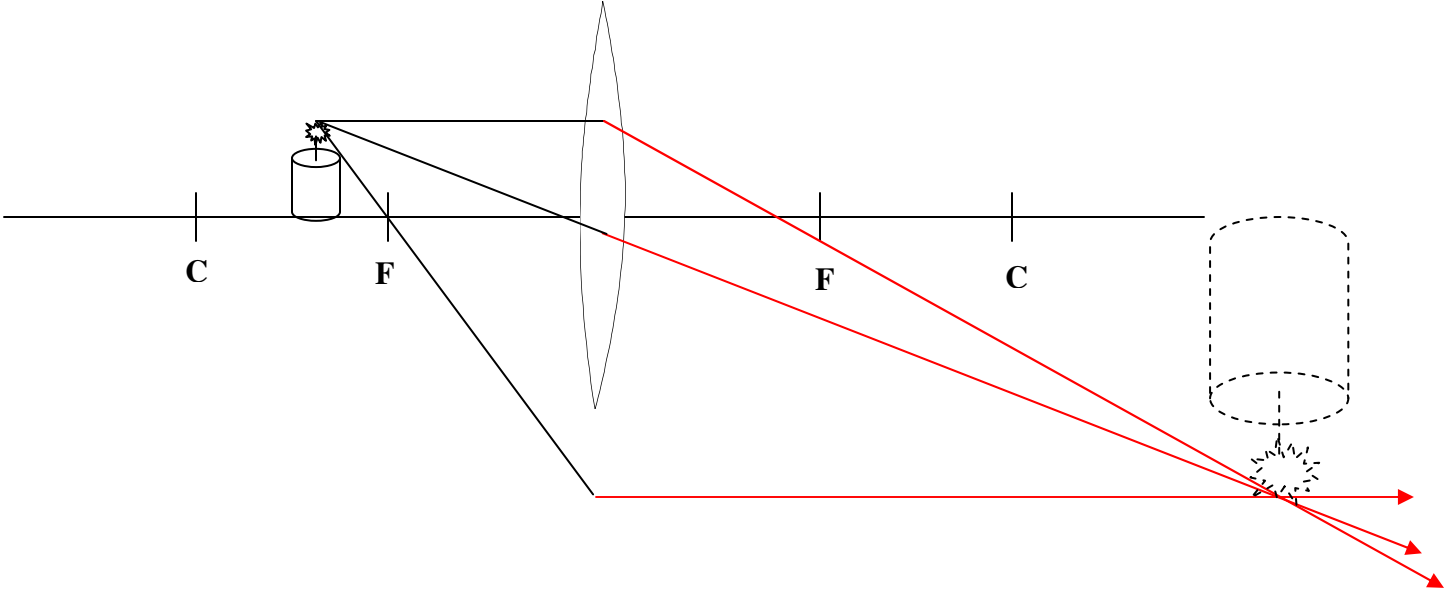
Concave Mirror



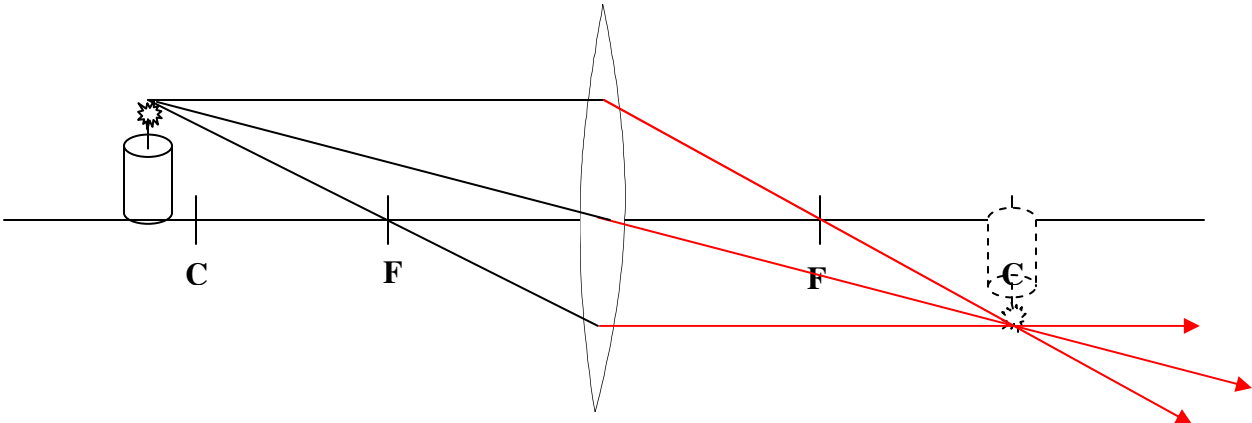
Convex Mirror



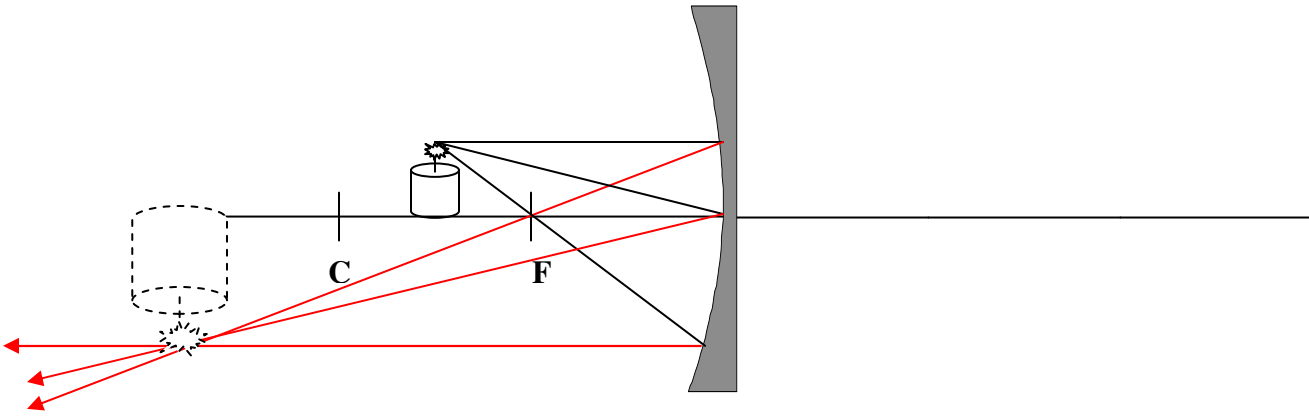
Converging Lens



Converging Lens



Concave Mirror



Concave Mirror

